



GENERAL INFORMATION

- Enclosure:Black anodized aluminum frame
- Size:2.5" display: 4- & 6-digit - 12.250" x 5.1875" x 2.5"d
4" display: 4-digit - 12.250" x 6.8750" x 2.5"d
4" display: 6-digit - 17.250" x 6.8750" x 2.5"d
- Weight:Varies by model
- Visibility:2.5" digits—up to 125 feet; 4" digits—up to 200 feet
- Operating mode:12- or 24-hour selectable. AM/PM dot in upper left corner for 12 hour mode
- Display:7-segment LED, 2.5" or 4" high characters, red or green digits
- Mounting options:.....Included wall-mount bracket
- Brightness options:.....3 user-selectable brightness levels
- Operating Temperature:32°-122° F (0°-50° C)
- Operating Humidity:0 to 95% non-condensing
- Line Voltage:Part number dependent; see part number list for reference
- Wi-Fi:802.11n (802.11b/g compatible, 2.4 GHz only)
- Supported data rates: 72, 65, 43, 29, 22, 14, 7 Mbps (802.11n)
 54, 48, 36, 24, 18, 12, 9, 6 Mbps (802.11g)
 11, 5.5, 2, 1 Mbps (802.11b)
- Security protocols: WEP, WPA/WPA2 and Enterprise (PEAPv0-MSCHAPv2)
- Configuration: Clocks are pre-configured for plug-n-play installation (standard) or individually configured via Wi-Fi client through web page interface. Supports DHCP or static IP addressing.
- Antenna type: Internal
- Time synchronization: Average time on the network is typically less than 10 seconds. Sync frequency is programmable from 1-12 hours. Staggered synchronization for unnoticeable network load with multiple clocks. Automatically adjusts for Daylight Saving Time changes.
- Time accuracy: ±1 second to SNTP time server. Supports two static IP address time servers for redundancy or pool SNTP domain names.
- Battery backup: Up to 10 year battery backup for internal realtime clock.
- Warranty:3 Years
- Optional Calendar Clock Display Modes:

MM:DD:YY	DD:MM:YY	YY:MM:DD	M:D:YY	D:M:YY	YY:M:D
----------	----------	----------	--------	--------	--------

COMPLIANCE

- FCC Part 15 Class B
- ICES-003
- ROHS

Model # nomenclature

WNDXXXXX

(a) (b) (c) (d) (e) (f) (g)

a: Clock Type

WND - Wi-Fi Digital

b: Digit Size

2 - 2.5"

4 - 4"

c: Number of Digits

4 - 4-digit (hours and minutes)

6 - 6-digit (hours, minutes, seconds)

M - 6-digit w/ calendar

d: Number of Clock Displays

1 - Single Display

2 - Double Display

e: LED Display Color

G - Green

R - Red

f: Mounting Type

C - Ceiling

S - Surface

W - Wall

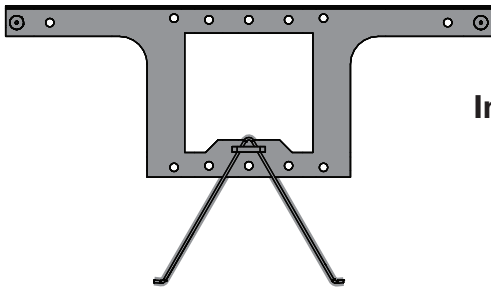
g: Power Type

A - 120V Molex plug

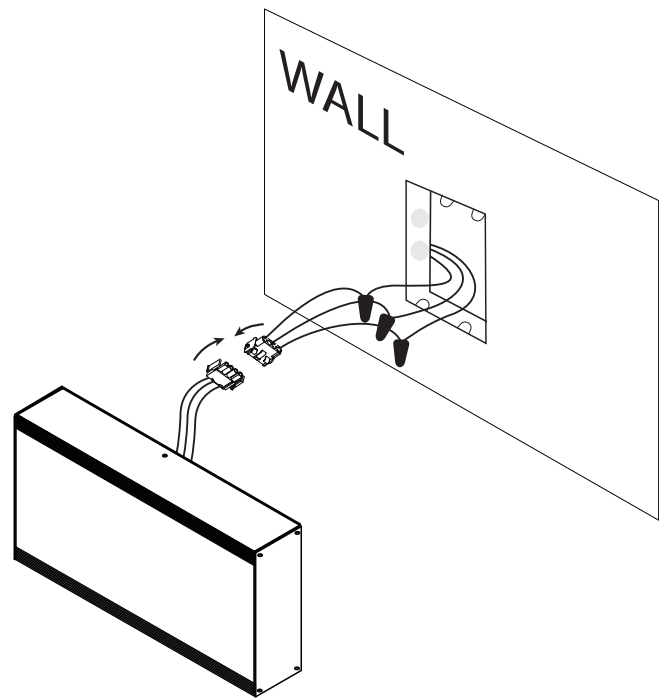
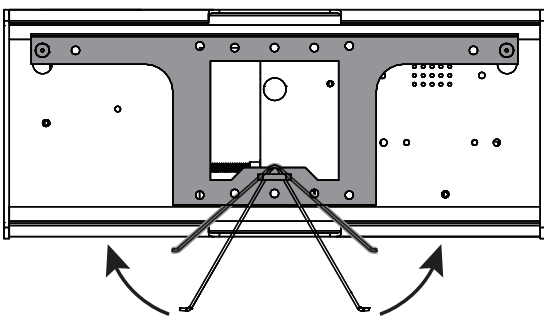
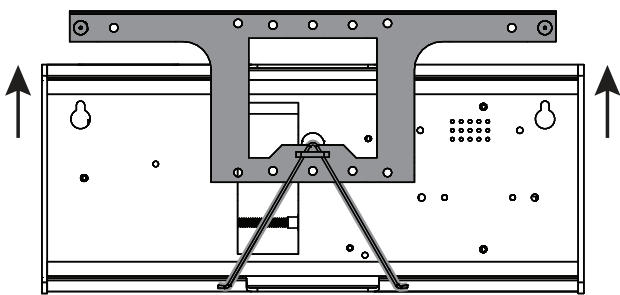
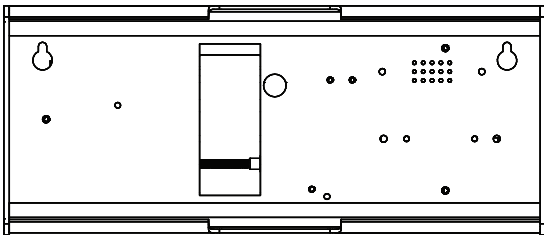
B - 24V Molex plug

K - 220V Molex plug

P - 120V 3-prong plug



Included wall-mount bracket



Surface mount Molex wiring



GENERAL INFORMATION

- Dimensions:4.63"h x 4.56"w x 1.25"d
- Weight0.27 lbs
- Distance of ATSTCS from clock:30' max. with 22 AWG stranded wire w/minimum 1/32" insulation
- Indications:.....2 second audible alarm (volume not adjustable)

DESCRIPTION

The American Time Timer Control Station is used when measuring elapsed time is important. It can be wired to any 6-digit clock for UP/ DOWN timing in Code Blue situations. The Code Blue feature provides an override that forces the clock into a special count-up elapsed time mode. No matter which of the three normal functions of the clock is being displayed, Code Blue input will cause the unit to begin counting elapsed time from 00:00:00. All other functions of the unit continue to operate in the background and will return to correct time after the count up duration.

Part #	Description
ATSTCS	Timer Control Station

