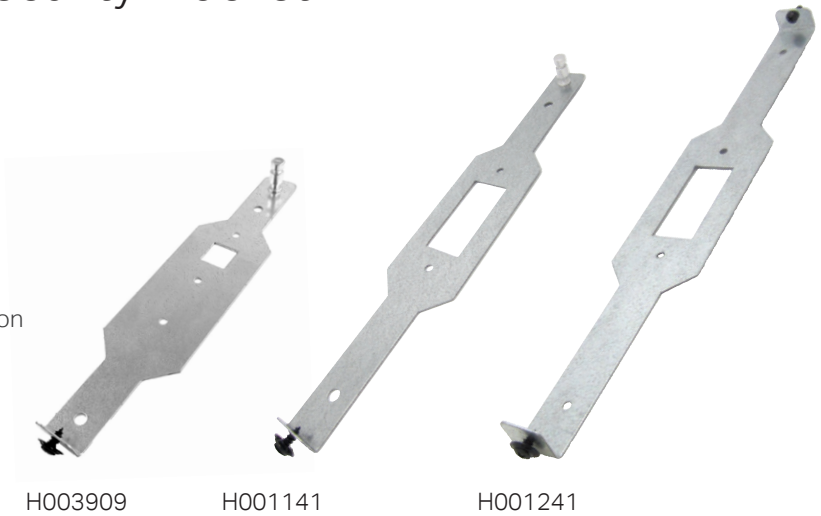




Tamper-Resistant Security Bracket

FEATURES

- Protects clocks from accidents and vandalism
- Indoor or outdoor use
- Heavy-duty, 18-gauge galvanized steel construction
- Kits include mounting hardware



ORDERING INFORMATION

For Battery-Operated Or Poe Clocks

Part #	Description	Dimensions
H003909	Fits American Time 10" plastic case clocks	9.25"h x 2.125"w
H001141	Fits American Time 12" plastic case clocks	11.725"h x 2.125"w
H001241	Fits American Time 12" steel case clocks	13.5"h x 2.125"w
H004734	Fits American Time 15" plastic case clocks	12.75"h x 2.125"w
H004061	Fits American Time 15" steel case clocks	15.825"h x 1"w
H004294	Fits American Time 18" steel case clocks	18.5"h x 2.125"w
H004303	Fits American Time 24" steel case clocks	24.25"h x 2.125"w



At American Time, we continually strive to improve our products to meet our customers' needs and to provide the best possible value. The above specifications are believed to be correct, are subject to change without notice and may otherwise vary from the above. Please call if you need verification of any specifications or the suitability of a particular product for a particular application.

© American Time