



Analog PoE Clocks Aluminum Case

Power over Ethernet (PoE) is a recognized standard (IEEE802.3af) for delivering power over an Ethernet cable. PoE uses a single CAT5 or higher Ethernet patch cable to provide both power and synchronization signals, which saves on installation costs and maintenance. Clocks are provisioned and monitored through the inCloud Management Portal or Network Clock Connect. It is recommended that an un-interruptible Power Supply (UPS) be part of the Ethernet network system to maintain clock function during a power outage.

FEATURES

- 3 Year Warranty
- Supports up to 10 SNTP servers for redundancy
- Supports DHCP or static IP addressing
- Easy initial mounting and setup
- Support for any time zone
- Automatic Daylight Saving Time adjustment
- Aluminum case
- Polycarbonate crystal

SPECIFICATIONS

Power Consumption	PoE, IEEE802.3af compliant, 1W, 48v
Operating Temperature	32 °F to 104 °F (0 °C to 40 °C)
Operating Humidity	95% maximum, non-condensing
Accuracy	±1 second

CERTIFICATIONS

- Electromagnetic Emissions
 - EN 55032:2012/AC:2013 Class B
 - FCC 15.107:2018 Class B
 - FCC 15.109:2018 Class B
 - ICES-003:2016 Class B
- Electromagnetic Immunity
 - EN 55024:2010
- Safety CB

ORDERING INFORMATION

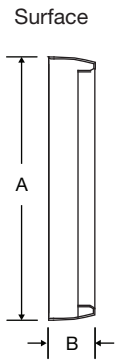
Part #	Description
PE54AGPD304	12" surface mount
PE64AGPD304	15" surface mount

Accessories

TL-POE160S	Single port PoE injector
H004167B-POE	USB Drive with Network Clock Connect Software

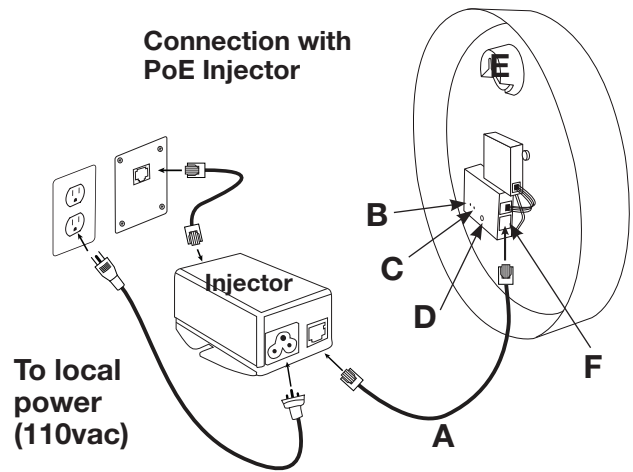
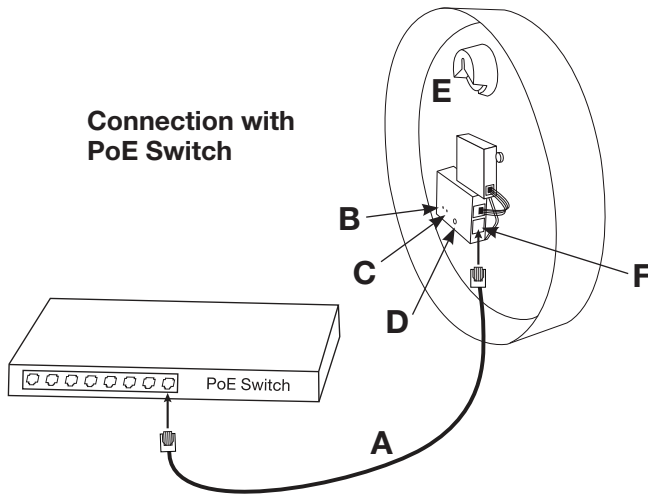
Note: Other dial style options available. Custom logo dials can be ordered by adding L to the end of the part number. PoE clocks are factory set to your time zone. Please specify when placing an order. Contact us for details.





OUTSIDE DIMENSIONS

SIZE	A	B
12"	13½"	2 ⁵ / ₈ "
15"	16¼"	2 ⁵ / ₈ "



A=PoE connection (CAT 5 or higher Ethernet patch cable–included) B=Status LED C=Relay LED D=Default Button
 E=Keyhole Hanger F=PoE Receiver

At American Time, we continually strive to improve our products to meet our customers' needs and to provide the best possible value. The above specifications are believed to be correct, are subject to change without notice and may otherwise vary from the above. Please call if you need verification of any specifications or the suitability of a particular product for a particular application. © American Time