



Wi-Fi Analog Steel Case Clocks Electric

Wi-Fi clocks connect to your existing Wi-Fi network to pull time from an Internet time server. Hang them anywhere you get a Wi-Fi signal. It's one of the fastest and most cost-effective ways to get synchronized time.

FEATURES

- 3 Year Warranty
- Can arrive preconfigured to join your Wi-Fi network
- Automatic Daylight Saving Time adjustment
- Durable steel case
- Surface clocks include a security bracket
- Up to one hour of continued operation during power outages

SPECIFICATIONS

Clock hour & minute hands	Black
Clock second hand	Red
Clock case	Steel (black, gray or white finish)
Crystal	Convex glass or polymer (polymer only on 12" square and 15")
Power	120/240VAC or 24VAC, 50/60 Hz
Current draw	120VAC - 4.9 mA (max), 2.3 mA (ave - hourly sync) 24VAC - 10.2 mA (max), 9.3 mA (ave - hourly sync) 240VAC - 2.3 mA (max), 1.3 mA (ave - hourly sync)
Input Voltage Range	120VAC/240VAC (110v to 240v) 24VAC (15v to 30v)
Plug	120VAC/240VAC - 10A 125v 2 prong polarized plug, 6 ft. cord 24VAC - 4 position Molex® connector
Rear panel indicator	Red, orange and green LED indicates mode status
Wi-Fi	802.11n (802.11b/g compatible, 2.4 GHz only)
Supported data rates	72, 65, 43, 29, 22, 14, 7 Mbps (802.11n) 54, 48, 36, 24, 18, 12, 9, 6 Mbps (802.11g) 11, 5.5, 2, 1 Mbps (802.11b)
Security protocols	WEP, WPA/WPA2 and Enterprise (PEAPv0-MSCHAPv2)
Configuration	Clocks are pre-configured for plug-n-play installation (standard) or individually configured via Wi-Fi client through web page interface. Supports DHCP or static IP addressing.
Antenna type	Internal
Time to synchronize	Average time on the network is typically less than 10 seconds. Sync frequency is programmable from 1-12 hours. Staggered synchronization for unnoticeable network load with multiple clocks. Clock will display correct time within 10 minutes of applying power. Automatically adjusts for Daylight Saving Time changes.
Time accuracy	±1 second to SNTP time server. Supports two static IP address time servers for redundancy or pool SNTP domain names
Warranty	3 Years



PHYSICAL/ENVIRONMENTAL SPECIFICATIONS

Operating temperature	41°F to 131°F
Storage temperature	41°F to 131°F
Relative humidity	0% - 95% Non-condensing

COMPLIANCE

- FCC Part 15 Class B
- ICES-003
- ROHS

ORDERING INFORMATION

Part #	Description
W444BHAD904	10" Round, surface mount, 120/240VAC
W445BHAD?04	10" Round, flush mount, 120/240VAC
W454BHAD904	12" Round, surface mount, 120/240VAC
W455BHAD?04	12" Round, flush mount, 120/240VAC
W457BGAD904	12" Square, surface mount, 120/240VAC
W458BGAD?04	12" Square, flush mount, 120/240VAC
W453BHAD204	12" Round, double dial, wall mount, 120/240VAC
W452BHAD204	12" Round, double dial, ceiling mount, 120/240VAC
W464BGAD904	15" Round, surface mount, 120/240VAC
W465BGAD?04	15" Round, flush mount, 120/240VAC
W463BGAD204	15" Round, double dial, wall mount, 120/240VAC
W462BGAD204	15" Round, double dial, ceiling mount, 120/240VAC

Other dial styles available. Change the 04 in the part number to change the dial style.

Note: Personalized dial option available. Add L to the end of the part number. Contact us for details.

Note: Replace the BH in the part # with GH for gray bezel finish or WG for white. See color swatches.

Note: For polymer lens on 10" and 12" round clocks, replace the BH in the part # with the 2 letter code for the bezel finish. Additional cost.
BG=Black Sand with polymer lens. GG=Steel Gray with polymer lens.

Note: If flush mounting in an existing backbox, change the ? in the Part # to specify correct hanger type from the key:
1=National Time 5=Simplex®, Dukane, Lathem 6=Cincinnati, Edwards, Faraday, Honeywell 8=Standard™ Electric

Bezel Finishes



Black Sand=BH/BG



Steel Gray=GH
(12" only)



White=WG
(12" & 15" only)

Part #	Description
W444BHBD904	10" Round, surface mount, 24VAC
W445BHBD?04	10" Round, flush mount, 24VAC
W454BHBD904	12" Round, surface mount, 24VAC
W455BHBD?04	12" Round, flush mount, 24VAC
W457BGBD904	12" Square, surface mount, 24VAC
W458BGBD?04	12" Square, flush mount, 24VAC
W453BHBD204	12" Round, double dial, wall mount, 24VAC
W452BHBD204	12" Round, double dial, ceiling mount, 24VAC
W464BGBD904	15" Round, surface mount, 24VAC
W465BGBD?04	15" Round, flush mount, 24VAC
W463BGBD204	15" Round, double dial, wall mount, 24VAC
W462?GBD204	15" Round, double dial, ceiling mount, 24VAC

OUTSIDE DIMENSIONS

ROUND

- "A":
11 1/4" for 10" clocks
13 1/4" for 12" clocks
16 1/4" for 15" clocks

- "B" Surface:
2 1/4" for all clocks

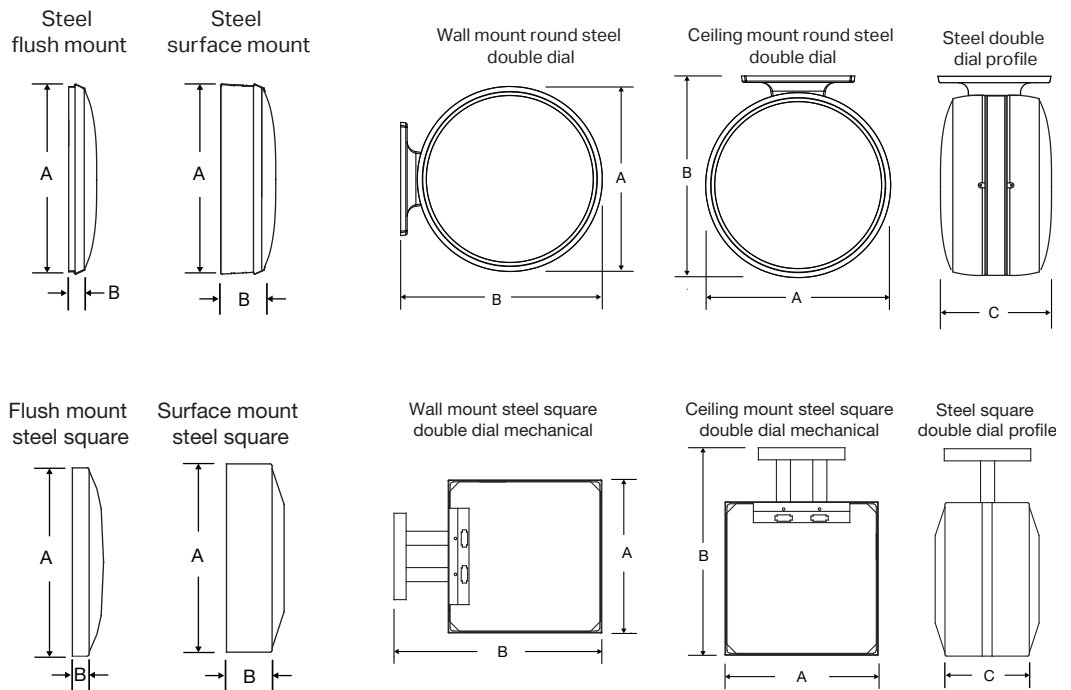
- "B" Flush:
1 5/8" for all clocks

- "B" Double dial:
14 3/8" for 12" clocks
17 1/8" for 12" clocks

- "C" Double dial:
8" for 12" & 15" clocks

12" SQUARE

- "A" 12 5/8"
"B" Surface: 3 1/8"
"B" Flush: 1 5/8"
"B" Double dial: 17 1/8"
"C" Double dial: 6 5/8"



At American Time, we continually strive to improve our products to meet our customers' needs and to provide the best possible value. The above specifications are believed to be correct, are subject to change without notice and may otherwise vary from the above. Please call if you need verification of any specifications or the suitability of a particular product for a particular application.

© American Time